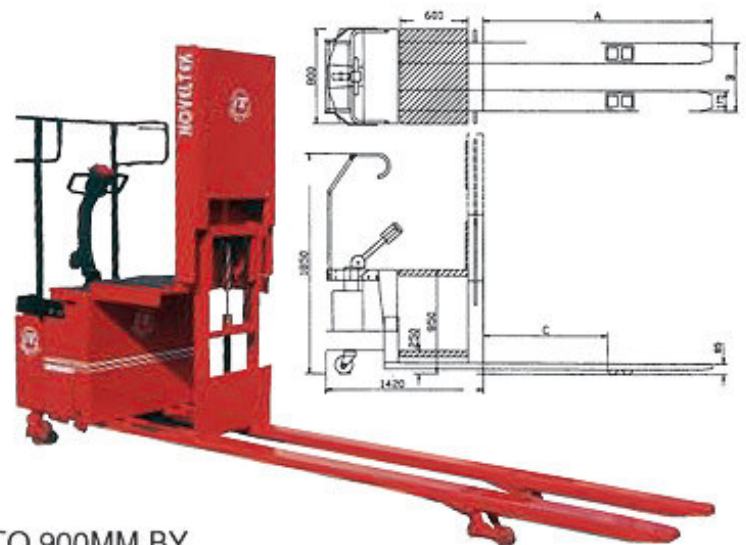


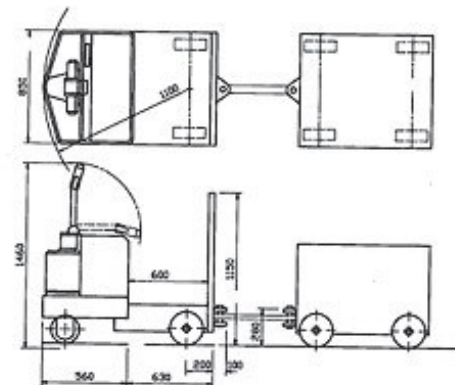
PPT-20LC
ORDER PICKER TRUCK
(2 TONS, 4400LB)
(CENTER DRIVE VERTION)

- THE DRIVER OPERATED IN THE CENTER OF TRUCK, SAFETY AND CONVENIENCE.
- FORKS ARE THE SAME AS PPT FORKS USED FOR OPEN AND CLOSED PALLETS. THE DRIVER COULD STAND ON THE TOP OF THE TRUCK BODY AND PICK UP SECOND OR THIRD FLOOR GOODS ON THE RACKING.
- OPTIONAL: PICKER'S PLATFORM LIFT UP TO 900MM BY ELECTRIC HYDRAULIC MOTOR PUMP.



TT-50
TOW TRUCK(5 TONS, 11000LB)

- THE DRIVER OPERATED IN THE CENTER OF TRUCK. SAFETY AND CONVENIENCE.
- TURNING RADIUS IS VERY SMALL. THE OPERATION IS CONVENIENT.
- TOW CAPACITY IS POWERFUL AND COULD PULL 5 TONS(11000LB)LORRY ON NORMAL FLAT FLOOR.
- IT CAN TOW 3 TONS LORRY OVER RAMP.
- SEAT IS AN OPTIONAL ITEM.



Towing Capacity	5000 kg(at flat floor)	
	3000 kg(with 10% gradeability)	
Max. Travel Speed	empty	7.1 km/h
	loaded	4.5km/h
Truck Weight	688 kg(with 240AH/24V battery)	
Battery	240AH/24V(traction) other options are available	
Drive Wheel(Front)	ø212x70 mm(solid tyre)	
Load Wheels(Rear)	ø205x70 mmx2pcs(solid pu tyres)	
Drive Motor	1.5kw/24v	
Charger	220V/40A(microprocess)	
Steering	steering arm 185 ARC	
Electric Control	Electronic mosfet stepless is standard, 3 speed is optional.	
Electric Cut off	emergency cut-off handle. microprocess charger cut-off.	
Seat	Stand-on is standard. Seat is option.	
Break	electromagntic spring pressure	
Instrument	horn, battery discharge indicator.	
Hook	Pin type	
Main Dimension	1190(L)x850(W)X1460(H)mm	
Customer's special requirement dimensions are welcome to produce. Hour meter is optional.		