

CRT-10/15/20

COUNTERBALANCED REACH TRUCK

(1 TON / 1.5 TONS / 2 TONS)

- MAST REACH ELECTRIC STACKER.
- MAST CAN REACH/DRAW 650MM/750MM.
- TURNING RADIUS 1600MM ONLY, CAN BE OPERATED IN 2.3 METER WIDTH AISLE.
- 3 SETS OF HYDRAULIC SYSTEMS LIFTING/TILTING/REACHING.
- MAST DRAW BACK CAN REDUCE TRUCK WEIGHT, REDUCE TRUCK LENGTH, INCREASE STABILITY.
- CONTROLLED BY STEERING ARM, THE OPERATORS DO NOT NEED FORKLIFT TRUCK DRIVER'S LICENSE.
- USE ADJUSTABLE WIDTH FORGED FORKS, CAN HANDLE ANY TYPES OF PALLETS.

- LOAD WHEEL DIAMETER IS 212MM CAN BE USED FOR RAMP, ELEVATOR...ETC.
- WIDE VIEW MAST CAN BE EASILY SEE THROUGH. INTERNATIONAL PATENT IS REQUESTING.
- VERY EASY DRIVE,EASY HANDLE DIRECTION.
- SHAFT TYPE FORGED FORKS ARE AVAILABLE AS OPTIONAL. IT IS VERY GOOD INTO AN ELEVATOR.

Optional items:

Foldable side Protection guards,Stopper for ride-on platform,-35°C cold storage type, Non-marking white rubber drive wheel, Vulcollan drive wheel...etc..



MAST AT REACHING CONDITION
IT CAN CARRY ANY TYPES OF PALLETS.

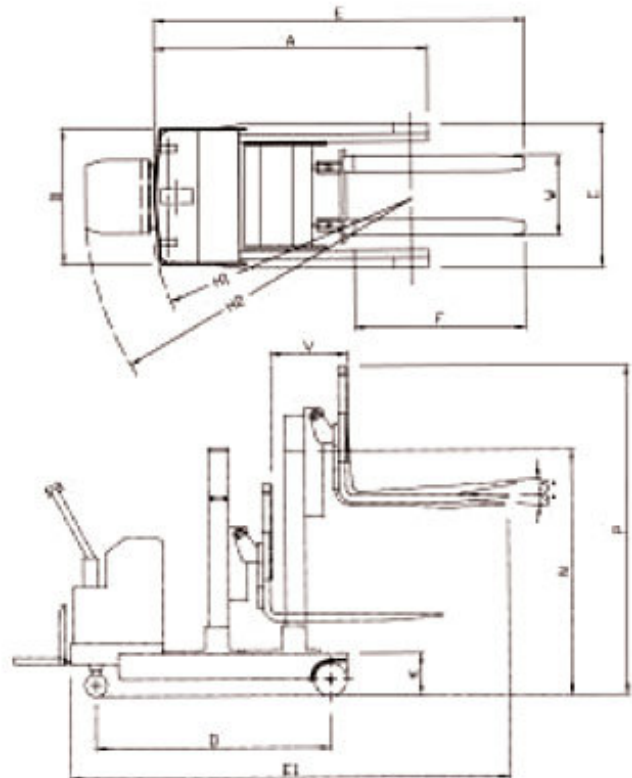


MAST AT DRAW BACK CONDITION
IT CAN REDUCE TRUCK WEIGHT
REDUCE TRUCK LENGTH
INCREASE STABILITY.

★ CRT-10/15/20 Specifications ★

Item	CRT-10	CRT-15	CRT-20	
* Lifting				
Rated capacity	1000 kg	1500 kg	2000 kg	
Load center	500 mm	500 mm	500 mm	
Lifting speed	empty	126 mm/s	126 mm/s	126 mm/s
	loaded	96 mm/s	90 mm/s	80 mm/s
Lowering speed	empty	208mm/s	208mm/s	208 mm/s
	loaded	600mm/s	620mm/s	630 mm/s
Travel speed	empty	6.0 km/h	6.4 km/h	6.4 km/h
	loaded	5.0 km/h	4.5 km/h	4.2 km/h
Gradeability	empty	8%	8%	8%
	loaded	5%	5%	5%
Fork tilting angle(F/R)	3° / 5°	3° / 5°	3° / 5°	
Weight of truck	with battery	1600kg	1800kg	2000kg
	without battery	1385kg	1585kg	1785kg
* Wheels				
Fork wheels	dimension	ø205x70mm	ø205x70mm	ø205x70mm
	quantity(R/L)	1/1	1/1	1/1
	material	PU	PU	PU
Castor wheels	dimension	ø140x60mm	ø140x60mm	ø140x60mm
	quantity(R/L)	1/1	1/1	1/1
	material	vulcollan	vulcollan	vulcollan
Drive wheel	dimension	ø212x70mm	ø212x70mm	ø212x70mm
	material	rubber	rubber	rubber
	movement up	15 mm	15 mm	15 mm
	movement down	30 mm	30 mm	30 mm
* Battery & Motors				
Battery capacity at 5 hours discharge	240AH/24V	240AH/24V	240AH/24V	
Max. charging current	40A/24V	40A/24V	40A/24V	
Drive motor power	1.5 kw/24V	1.5 kw/24V	1.5 kw/24V	
Lifting motor power	3.0kw/24V	3.0kw/24V	3.0kw/24V	
Speed control principle-number of steps(3 speed is optional, Electronic Mosfet stepless is standard.)	Resistance-3(option)			
	Stepless	Stepless	Stepless	
* Steering & brake				
Steering system	Steering Arm			
Steering arc. total	185 degree			
Traveling brake	Type	Electromagnetic spring pressure		
	Actuated part	Drive wheel		
Parking brake	Type	Electromagnetic spring pressure		
	Actuated part	Drive wheel		

MAST TYPES	MAX. FORK HEIGHT(MM)									
	2000	2500	3000	3500	4000	4500	5000	5500	6000	6000
DUPLEX MAST TELESCOPIC										
MIN. MAST HEIGHT(N)	1656	1906	2156	2406	2656	-	-	-	-	-
MAX. MAST HEIGHT(P)	2656	3156	3656	4156	4656	-	-	-	-	-
TRIPLE STAGE MAST										
MIN. MAST HEIGHT(N)	-	-	1585	1850	1950	2100	2250	2450	2600	
MAX. MAST HEIGHT(P)	-	-	4015	4515	5015	5515	6015	6515	7015	
FREE LIFT(L)	-	-	830	1000	1324	1400	1650	1820	2000	



Model		CRT-10/15	CRT- 20
Item	mm	mm	mm
Truck length	A	1710	1910
Truck width	B	850	850
Wheel base	D	1460	1660
Total length with draw	E	2130	2230
Over all length extended	E1	2780	2950
Fork length	F	1070	1070
Turning radius	H1	1650	1850
Turning radius	H2	2100	2300
Mast reach length	V	650	750
Fork adjustable width	W	200-710	200-710
Front wheel width	C	1060	1060
Height of straddle	K	260	260

Product styling and features are subject to change as a result of technological progress without notice.