

## FBF-15 / 20+ROTATING 360° FORK CLAMP

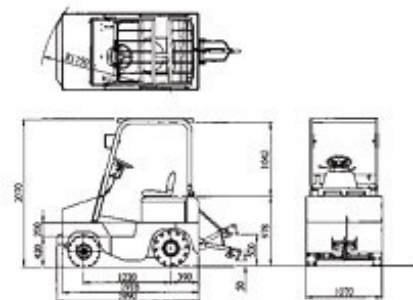
### SIT-ON ELECTRIC FORK LIFT TRUCK+ROTATING 360° FORK CLAMP(1.5 TONS/2 TONS)

- MOSFET STEPLESS CONTROLLER.
- FORK CLAMP ROTATE 360 DEGREE.
- ROTATING FORK CLAMP FOR MANY PRODUCTS.
- SOFT SOILD TYRES ARE STANDARD.
- 4 SETS OF HYDRAULIC SYSTEMS: LIFTING / TILTING / CLAMPING / ROTATING.
- DRUM ARMS AND BALE ARMS CAN BE CHANGED VERY EASILY.
- THIS FORKLIFT CAN CARRY DRUMS AND PALLETS.



## TBF-160 ELECTRIC TOW TRUCK(4 WHEELS) (8 TONS/16 TONS)

- POWER STEERING ON FRONT WHEELS.
- POWER DRIVE ON REAR WHEELS.
- VERY EASY OPERATE.
- VERY STRONG TOWING FORCE, IT CAN TOW 16 TONS' TROLLEY ON NORMAL FLOOR, IT CAN TOW 8 TONS' TROLLEY OVER RAMP.
- TOW HOOK AT REAR.
- STEPLESS ELECTRIC CONTROLLER.
- MICROPROCESSED CHARGER WITH EQUALIZING FUNCTION.
- HYDRAULIC FOOT BRAKE.
- MECHANICAL HAND PARKING BRAKE.
- STABLE HYDRAULIC POWER STEERING.
- ADJUSTABLE AND CUSHION SEAT WITH SEAT BELT.



WHEEL BASE	A	1220mm
OVERALL LENGTH	B	1990mm
OVERALL HEIGHT	C	2070mm
OVERALL WIDTH	D	1070mm
TOW BAR HEIGHT	E	500mm
TURNING RADIUS	F	1750mm
SEAT HEIGHT	H	1120mm
DRIVE TIRES	I	4.50-12
STEERING TIRES	J	5.00-8
POWERED BY		BATTERY
DRIVE MOTOR		6.8 KW/ 9.1 HP
POWER STEERING MOTOR		0.8 KW/1.06 HP
BATTERY(V/AH)		48 V/400AH
WEIGHT(INC.BATTERY)		2000 KG
TOWING FORCE(LOAD CAPACITY)		800 KG(18000 KG)
BACK LIGHTS		STD.
SIGNAL LIGHTS		STD.
FRONT WORKING LIGHTS		STD.
REAR VIEW MIRROR		CONVEX
CHARGER		220V/48V-60A